

# EVOLite<sup>®</sup> SKYWORKER MICRO PEAK - WHEEL RATCHET

## TECHNICAL SPECIFICATION

PRODUCT CODE: AJS260-000-100

THE HEIGHT SAFETY SPECIALIST HELMET CONFORMING TO EN12492 AND THE IMPACT TEST OF EN397

### HEAD PROTECTION

#### INSTRUCTIONS FOR USE

- Fit helmet on head and fasten strap to ensure fit
- For adequate protection this helmet must be worn with peak facing forward
- Ensure the helmet is adjusted to the size of the user's head

**WEBBING HARNESS:**  
HDPE Strap & Webbing Clips with Polyester Webbing Straps

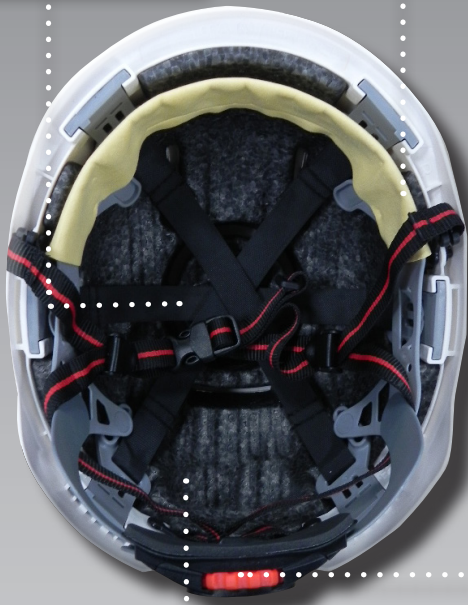


**CHAMLON™ SWEATBAND:**  
Egyptian cotton core with porous PU coating for maximum sweat absorption. PH neutral, dermatologically tested



**SHELL:**  
High strength engineering grade ABS

**4 POINT CHINSTRAP:**  
Four-point 'X-over' Chinstrap and adjustable harness system comes with a quick release buckle and is made from durable yet soft material, for a comfortable fit



**WHEEL RATCHET:**  
The Revolution<sup>®</sup> Wheel Ratchet is the new easy to use wheel ratchet adjustment system to create a firm comfort fit with added security



**LINER:**  
Polystyrene (EPS)

#### CLEANING & MAINTENANCE

- The unit may be cleaned with soap and warm water and dried with a soft cloth
- The helmet should not be cleaned with chemical or abrasive cleaners
- The helmet should be stored out of direct sunlight
- The helmet should be stored away from chemicals and extremes of temperature

#### CONFORMITY

- Conforms to EN12492 Mountaineering standard
- Conforms to EN397 Shock Absorption and Penetration
- Meets the retro reflective performance requirements of EN12899 when fitted with CR2 Reflective Kit
- Meets optional Molten Metal Splash performance
- Meets optional very low temperature performance (-40°C)
- Meets Lateral Deformation requirements
- EC Certificate Number 601644, issued by BSi Product Certification
- Company personalisation available by printing



MANUFACTURING FOR SAFETY  
WWW.JSP.CO.UK

UKSALES@JSP.CO.UK  
EXPORT@JSP.CO.UK  
TEL: +44 (0)1993 826050



# EVOLite<sup>®</sup> SKYWORKER

MICRO PEAK - WHEEL RATCHET

## TECHNICAL SPECIFICATION

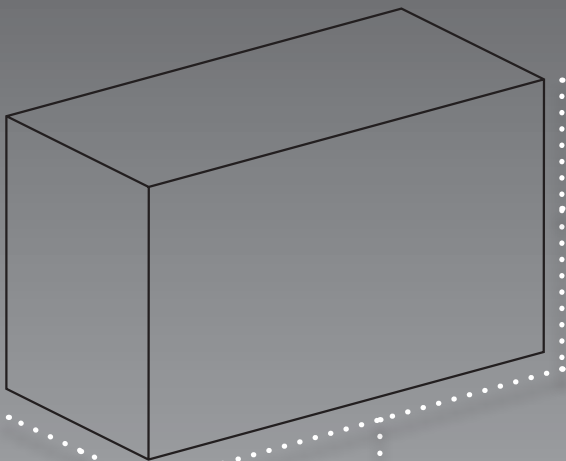
PRODUCT CODE: AJS260-000-100

THE HEIGHT SAFETY SPECIALIST HELMET CONFORMING TO EN12492 AND THE IMPACT TEST OF EN397

### HEAD PROTECTION

#### DIMENSIONS OF OUTER PACKAGING

Quantity: 10
Weight: 6kg (Approx.)



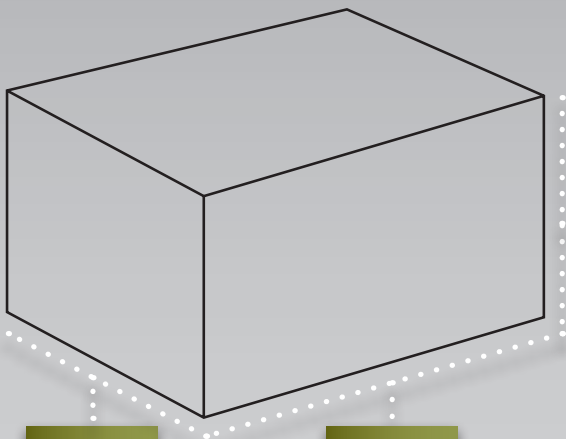
**HEIGHT:**  
460mm

**WIDTH:**  
275mm

**LENGTH:**  
810mm

#### DIMENSIONS OF INNER PACKAGING

Quantity: 1
Weight: 565g (Approx.)



**HEIGHT:**  
157mm

**WIDTH:**  
220mm

**LENGTH:**  
260mm

#### HELMET FEATURES

EN STANDARD	EN12492 EN397	Yes Shock & Penetration
PERFORMANCE	Impact Resistance Lateral Deformation Electrical Insulation	Yes 50 Joules Crown 25 Joules Side Yes Yes: EN50365 1000V
TEMPERATURE RESISTANCE	Molten Metal (MM) +50°C -40°C	Yes Yes Yes
SHELL MATERIAL	ABS Recyclable UV Stabilised	Yes Yes Yes
CHINSTRAP	4 pts	Yes
HARNESS MATERIAL	HDPE LDPE Textile	Yes Yes Yes
HARNESS SYSTEM	JSP 3D Wheel Ratchet	Yes Yes
OPTIONS	Universal Accessories Reflective CR2 Integrated Eyewear	Yes Yes No
LOGO OPTIONS	Front Rear Side MOQ Logo Individual Name	Yes Yes Yes 10 Yes

#### DIMENSIONS OF HELMET

Size:	530 - 640mm
Weight:	395g (Approx.)

#### LIMITATIONS OF USE

Protection will only be offered if the helmet is fitted correctly

Any helmet subjected to severe impact should be replaced immediately. Do not apply paint, solvents or adhesive labels except in accordance with instructions from the manufacturer

The harness, when in contact with the skin may cause allergic reactions to susceptible individuals. If this occurs leave the hazard area, remove the helmet and seek medical advice

The attention of users is also drawn to the dangers of modifying or removing any of the original component parts, other than as recommended by the manufacturer



MANUFACTURING FOR SAFETY  
WWW.JSP.CO.UK

UKSALES@JSP.CO.UK  
EXPORT@JSP.CO.UK  
TEL: +44 (0)1993 826050

